

## REHANDLING CLAMSHELL BUCKETS

### MODEL RS FOR STANDARD MATERIAL



#### Standard Power Rotation

High torque, heavy duty, continuous  
360-degree power rotation

#### Clamshell Buckets

Improved bowl design to  
contain more material

Added hardened bushings  
in static areas



#### Bolt-On Cutting Edges

Thickened cutting edges and fasteners

**Model RS** for materials up to 3500-lbs per cubic yard.

Machine Weight Class	65,000 lbs. to 135,000 lbs.				135,000 lbs. to 200,000 lbs.			
Model No. w/Rotation	RS-150DBE	RS-200DBE	RS-250DBE	RS-300DBE	RS-350DBE	RS-400DBE	RS-450DBE	RS-500DBE
Capacity (Cubic Yards)	1 1/2	2	2 1/2	3	3 1/2	4	4 1/2	5
Length Closed (in.)	<b>A</b> 54	59	63	67	71	73	77	80
Length Open (in.)	<b>B</b> 104	111 1/2	116 1/2	120 1/4	125 3/4	129 1/4	132 1/2	135 1/2
Bucket Width (in.)	<b>C</b> 59 1/2	64 1/2	69 1/2	73 1/2	77	80 1/2	83 1/2	86
Height Open (in.)	<b>D</b> 70 1/4	78	78 1/2	79	94 1/2	95	95 1/2	95 3/4
Height Closed (in.)	<b>E</b> 88	97	99 1/2	101 1/2	116	117 3/4	119 1/2	121
Deck Area (sq. ft.)	43	50	56	61	67	72	77	81
Weight (lbs.)	5,420	6,280	6,660	6,950	9,470	9,770	10,040	10,310

Machine Weight Class	200,000 lbs. to 300,000 lbs.			
Model No. w/Rotation	RS-550DBE	RS-600DBE	RS-700DBE	RS-800DBE
Capacity (Cubic Yards)	5 1/2	6	7	8
Length Closed (in.)	<b>A</b> 82 1/2	84 1/2	89 1/2	93 1/2
Length Open (in.)	<b>B</b> 149 1/2	152 1/2	157 1/4	161 3/4
Bucket Width (in.)	<b>C</b> 90	92 1/2	97	101 1/2
Height Open (in.)	<b>D</b> 105 1/2	105 3/4	106 1/4	106 3/4
Height Closed (in.)	<b>E</b> 135 1/2	137	139 1/2	142
Deck Area (sq. ft.)	93	97	105	114
Weight (lbs.)	13,980	14,320	14,890	15,500

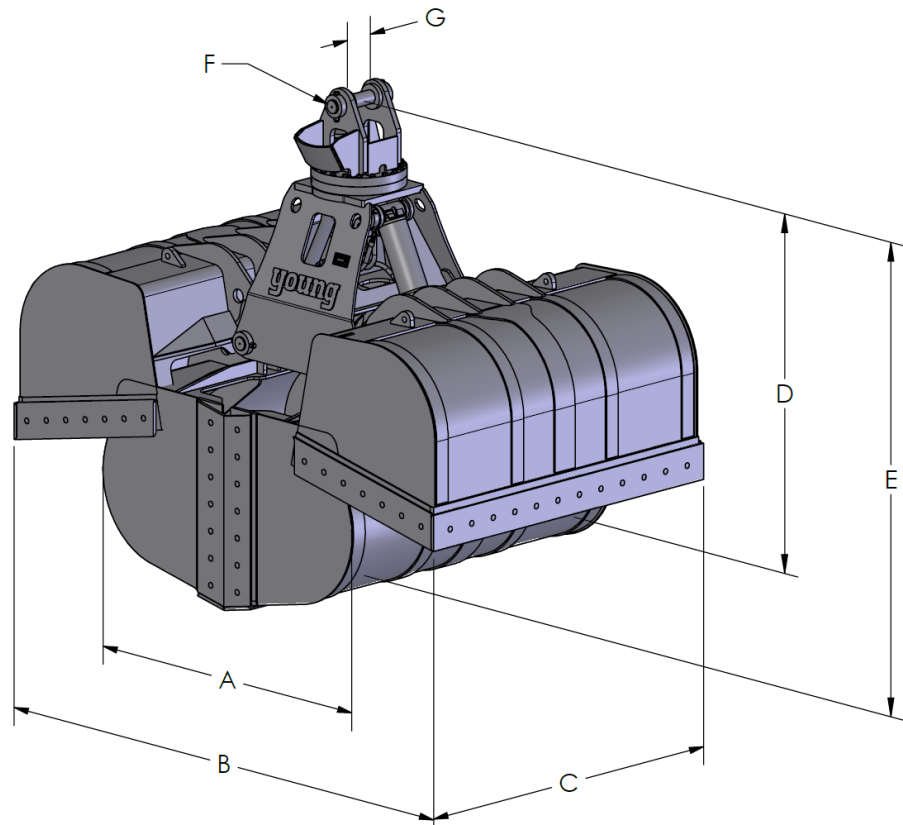
**Optional:**

- > Custom Sizes
- > Weld-On Cutting Edges
- > Fixed, Non-Rotating Heads
- > Height Extensions for Longer Reach

Please refer to:

**Model RL** for lighter material

**Model DG** for digging buckets



[www.youngcorp.com](http://www.youngcorp.com)

find us on 