

REHANDLING CLAMSHELL BUCKETS

MODEL RL FOR LIGHT MATERIAL



Standard Power Rotation

High torque, heavy duty, continuous
360-degree power rotation

Clamshell Buckets

Improved bowl design to
contain more material

Added hardened bushings
in static areas



Bolt-On Cutting Edges

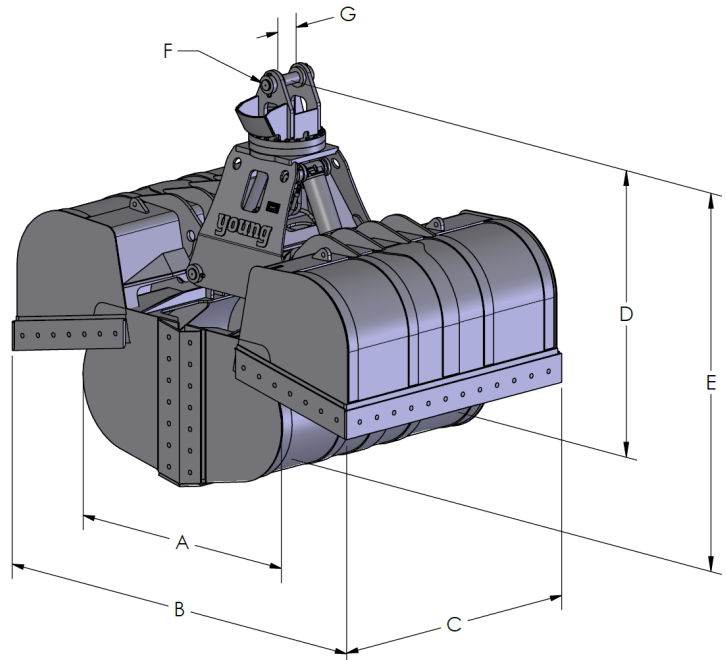
Thickened cutting edges and fasteners

Model RL for materials up to 2000-lbs per cubic yard.

Machine Weight Class	65,000 lbs. to 135,000 lbs.						
Model	RL-200DBE	RL-250DBE	RL-300DBE	RL-350DBE	RL-400DBE	RL-450DBE	RL-500DBE
Capacity (Cubic Yards)	2	2 1/2	3	3 1/2	4	4 1/2	5
Length Closed (in.)	A 58 1/2	62 1/2	67 1/2	67 1/2	73 1/2	76 1/2	79 1/2
Length Open (in.)	B 109 1/4	114 1/4	118 1/4	123 3/4	127 3/4	130 1/2	133 1/2
Bucket Width (in.)	C 64 1/2	69 1/2	73 1/2	76	79 1/2	82 1/2	85
Height Open (in.)	D 70 3/4	71 1/4	71 3/4	79 1/4	79 3/4	80	80 1/4
Height Closed (in.)	E 90 3/4	93 1/4	95 1/4	103 1/2	105 1/2	107	108 1/2
Deck Area (sq. ft.)	49	55	60	65	70	74	78
Weight (lbs.)	5470	5770	6060	6700	6990	7220	7440

Machine Weight Class	135,000 lbs. to 200,000 lbs.					
Model	RL-455DBE	RL-505DBE	RL-550DBE	RL-600DBE	RL-700DBE	RL-800DBE
Capacity (Cubic Yards)	4 1/2	5	5 1/2	6	7	8
Length Closed (in.)	A 77	80	82	84	89	93
Length Open (in.)	B 132 1/2	135 1/2	138 1/2	141 1/4	146	151
Bucket Width (in.)	C 83 1/2	86	89	91 1/2	96	100 1/2
Height Open (in.)	D 95 1/2	95 3/4	96 1/4	96 1/2	97 1/4	98
Height Closed (in.)	E 119 1/2	121	122 1/2	124	126 1/2	129
Deck Area (sq. ft.)	77	81	86	90	98	106
Weight (lbs.)	9960	10,210	10,470	10,720	11,270	11,740

Machine Weight Class	200,000 lbs. to 300,000 lbs.	
Model	RL-705DBE	RL-805DBE
Capacity (Cubic Yards)	7	8
Length Closed (in.)	A 89 1/2	93 1/2
Length Open (in.)	B 157 1/4	162 1/4
Bucket Width (in.)	C 97	101 1/2
Height Open (in.)	D 106 1/4	106 3/4
Height Closed (in.)	E 139 1/2	142
Deck Area (sq. ft.)	105	114
Weight (lbs.)	14,490	15,090



Optional:

- > Custom Sizes
- > Weld-On Cutting Edges
- > Fixed, Non-Rotating Heads
- > Height Extensions for Longer Reach

Please refer to **Models RS** or **DG Buckets** for materials in excess of 2000 lbs. per cubic yard.